

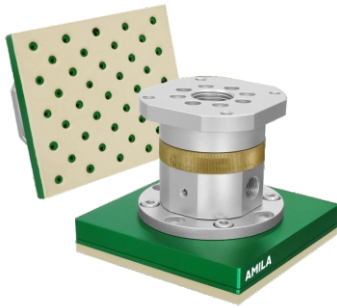
Composite Suction Cups

Composite Suction Cups MD-SPONGE

Composite Suction Cups MD-SPONGE

Introduction and application

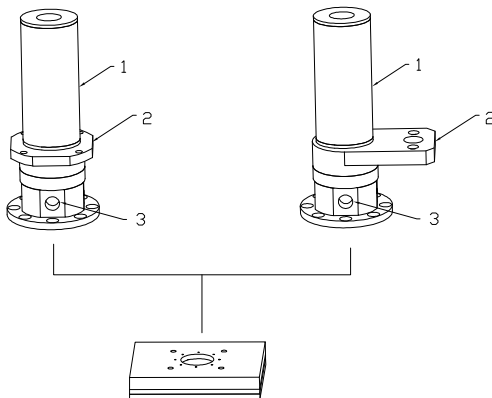
- ◆ Applied to label adsorption and pasting
- ◆ Size can be customized



System Design Composite Suction Cups MD-SPONGE

Design

- ◆ Silencer(1)
- ◆ (2) Axial mounting (A) or lateral mounting (S)
- ◆ (3) compressed air intake



Ordering Data Composite Suction Cups MD-SPONGE

Type	Ordering Data	Type	Ordering Data
MD-A-K-F-75x75 SPONGE-3	90.13.01.00001	MD-A-K-F-80x60 SPONGE-3	90.13.01.00005
MD-A-B-F-75x75 SPONGE-3	90.13.01.00002	MD-A-B-F-80x60 SPONGE-3	90.13.01.00006
MD-S-K-F-75x75 SPONGE-3	90.13.01.00003	MD-S-K-F-80x60 SPONGE-3	90.13.01.00007
MD-S-B-F-75x75 SPONGE-3	90.13.01.00004	MD-S-B-F-80x60 SPONGE-3	90.13.01.00008

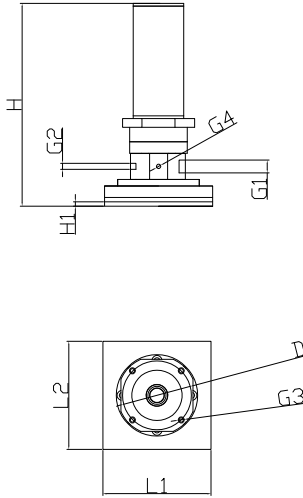
Note: A represents the axial installation of the upper flange; S represents the lateral installation of the upper flange; K represents the adjustable vacuum generator; B represents the non-adjustable vacuum generator; F represents the lower flange; (detailed data reference page P)

Composite Suction Cups

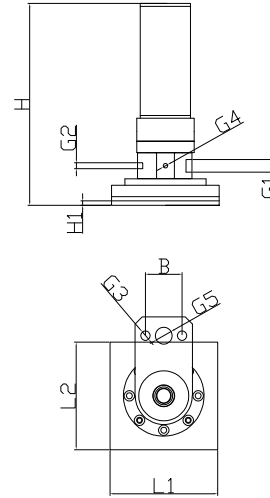
Composite Suction Cups MD-SPONGE

Design Data Composite Suction Cups MD-SPONGE

MD-A



MD-S



Type	Dimensions[mm]											
	L1	L2	H	H1	D	G1	G2	G3	G4	G5	B	
MD-A-K-F-75x75 SPONGE-3	75	75	140.6	3	48	G1/8	M5	M5	M4	-	-	
MD-A-B-F-75x75 SPONGE-3	75	75	130.4	3	48	G1/8	M5	M5	M4	-	-	
MD-S-K-F-75x75 SPONGE-3	75	75	140.6	3	-	G1/8	M5	φ 6.6	M4	G1/4	25.5	
MD-S-B-F-75x75 SPONGE-3	75	75	130.4	3	-	G1/8	M5	φ 6.6	M4	G1/4	25.5	
MD-A-K-F-80x60 SPONGE-3	80	60	140.6	3	48	G1/8	M5	M5	M4	-	-	
MD-A-B-F-80x60 SPONGE-3	80	60	130.4	3	48	G1/8	M5	M5	M4	-	-	
MD-S-K-F-80x60 SPONGE-3	80	60	140.6	3	-	G1/8	M5	φ 6.6	M4	G1/4	25.5	
MD-S-B-F-80x60 SPONGE-3	80	60	130.4	3	-	G1/8	M5	φ 6.6	M4	G1/4	25.5	

Combined Suction Cups

Vacuum Suction Cups

Composite Suction Cups

Special Grippers

Vacuum Gripping Systems

Mounting Elements

Vacuum Generators

Valve Technology

Switch And Monitoring

Vacuum Filters